

WORLD THROUGH AUTOMATION & ROBOTICS

Vision

Aditi automation believe the world through automation & robotics giving sturdy, robust & cost effective products by which can achieve top most brand in the world

To become market leader in the field of Robotics & Plant automation

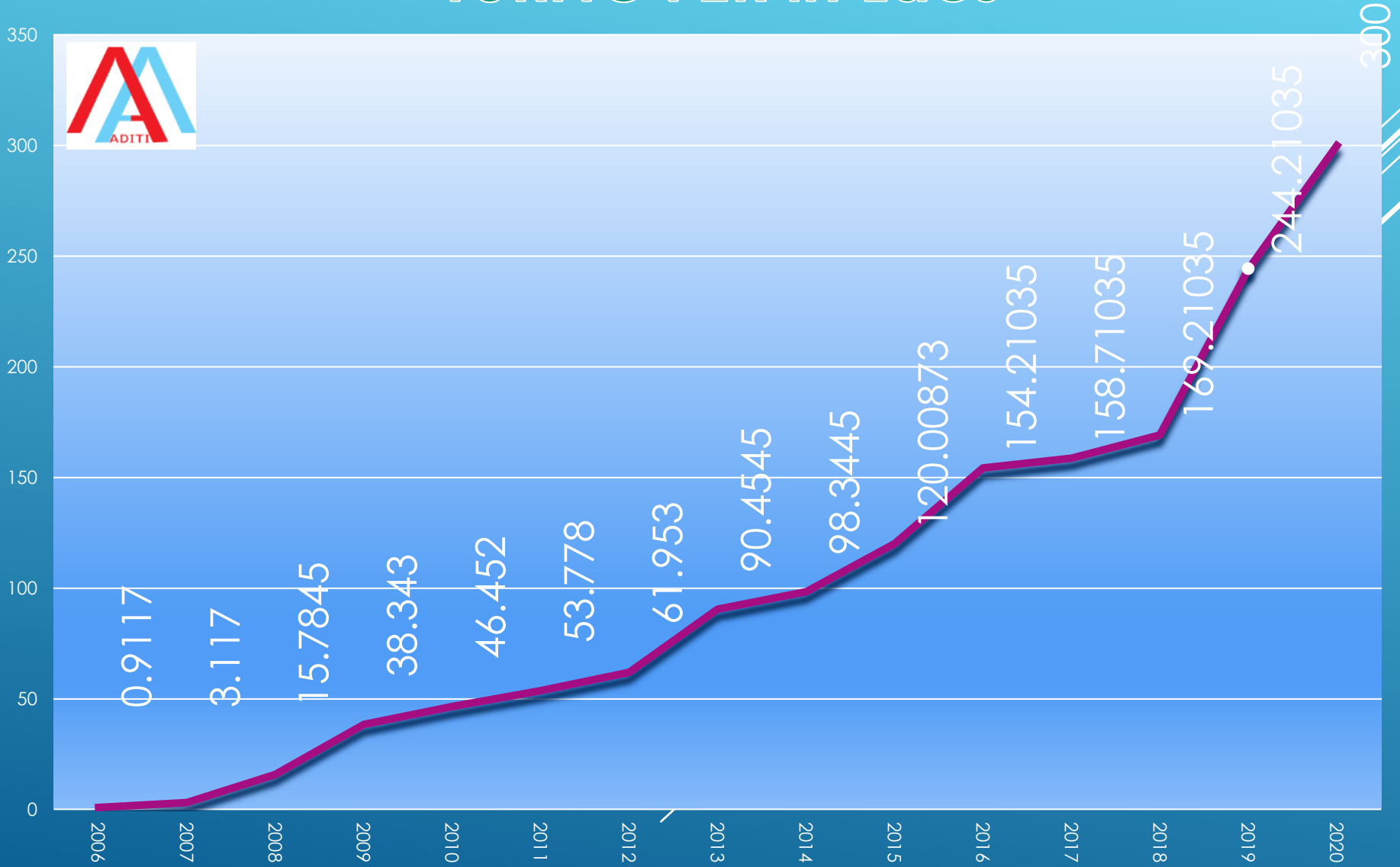
Mission

Quality:-Never compromise on Quality
Intrigity-Strive for continual improvement in Automation system
Reliability:-Satisfy our valuable customer
Prosperity:-Aditi Automatiom belive prosperity for every one, be it employer or employee

Values



TURNOVER in Lacs





CEO- Shivaji Gunjal 9881131260/9028056836

info@aditiautomation.com

aditiautomation@yahoo.in

26 years working experience in field of Automobile, Foundary, Farma, (Maint. +Projects) & worked for TATA MOTORS, FIAT, COMAU & MECHELONIC WELDERS.



CFO -Shubhangi Gunjal -9552719751

Joined in 2007 with 10 years experience in Purchase & finance.

accounts@aditiautomation.com

AHMEDABAD UNIT HEAD:-



25 years experience in Automation & Electrical Design for different industries

Digvesh Suthar :-I-403, Ashray-9, Phase-2GST compound
Road, Opp Khodyarmata Temple, New Ranip, Ahmedabad
Pin code- 382480



▲ TORANTO CANADA

▲ UAE



Pune India

ADITI AUTOMATION

OFFICE:-A1/3,AYUSH GARDEN,SECT-16,PLOT NO-96,PCNDTA,CHIKHALI PRADHIKARAN,OFF TATA MOTORS LTD (CAR PLANT),CHINCHWAD,PUNE PIN CODE-411019

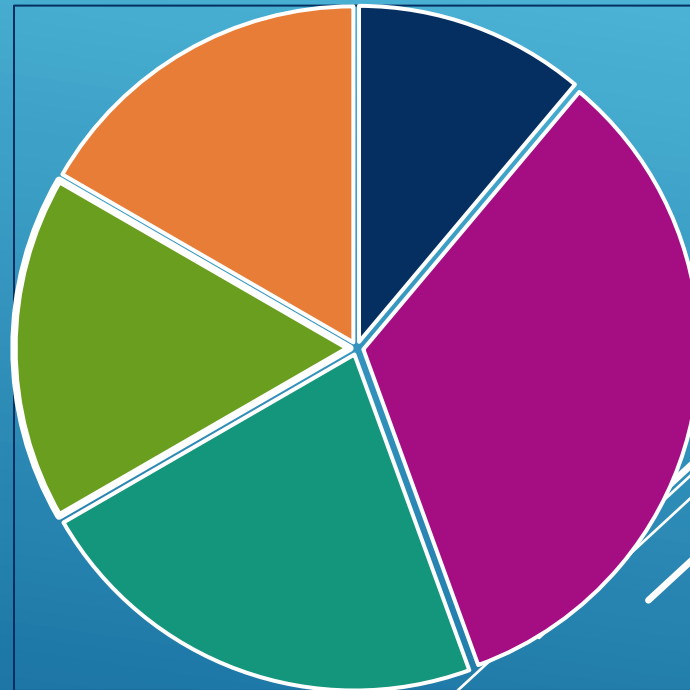
WORKS:-GAT NO-755,SANBHAJI ROAD,BALGHARE WASTI,KUDALWADI HAVELI PUNE-411012

- ▲ → CORPORATE OFFICE
- ▲ → SALES OFFICE
- → MANUFACTURING FACILITY





CUSTOMER BUSINESS %



■ food

■ auto

■ foundary

■ plastic

■ Pharma



KEY STAFF MEMBER



Sachine Mandloi-
Mgr Design



Sajith Sebastian -
Praposals & Projects



Aditya Patil-
Mgr Purchase



Shirish Wadaye-
Consultant



Suraj Dethe-
project leader



Sachine
Nalawade-HR &
A/C Manager



Vikram Bhandare-
project leader



Dharmendra
Kusalkar-project
Supervisor



Bikram Lenka-
project
Superwiser



Gaurav Mahajan-
project leader



Nikhil Devare-
Design Engineer



Akshay Bankapur-
Electrical Engineer



Abhijeet Shelke-
Design Engineer



Vinod Choudhari-
Project Manager



Imran Shaikh-
Electrical Engineer



Prashant bulbule-
Project Engineer



Mahendra Choudhari-
Fitter



Raj Thakur- Fitter



Nilkanth Dhamak-
Project Engineer



Nilkanth Dhamak-
Electrial Design Mgr



Company Profile:-



Factory Area- 2000Sq

Activities- PLC software development, Panel Building, Fixture Assembly

Manpower-Total-21 people

- 8 Electrical Engineers
- 6 mechanical Engineers
- 7 technicians

Machinery-Welding Machine, Drill Machines, All Panel Building Equipment.

Expertise-Automation projects, Manufacturing Jigs & Fixtures, Maintenance AMC, Robotic Programming, PLC programming, Hydraulic, Pneumatic

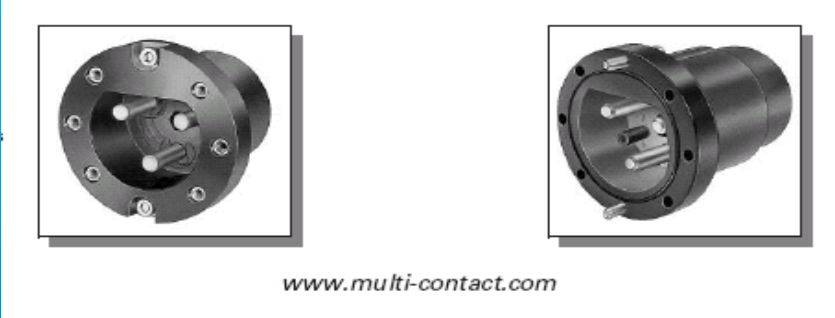
Customers:- FIAT, TAL, Comau, Horbiger, JBM, Tata Motors, BEHR, Badve Auto, Panse Auto, Conex, Inductotherm Group, SD Engineers,

Electrical Ckt Design Software- EPLAN, Rockwell PLC, L & T PLC, Mitsubishi PLC

Mechanical Design –Catia, Solid Age, Solid Works, AutoCAD

Business Partners: TAL Manufacturing (Robot System Integrator), Stabuli Robots (System Integrators) Bosch Rexroth Drive System House.

Sales & Service Partner



Rexroth VFC & EFC Frequency Converter



2

Overview

VFC 3610 / 5610

The VFC 3610 / 5610 series has been especially developed to meet the requirements of emerging markets.

The VFC 3610 is an economical machinery drive. It offers V/f control in a power range from 0.4 kW to 18.5 kW. Compact dimensions and clever features make it suitable for a broad range of industries and applications. From HVAC and conveyors to woodworking and textile machines.

The VFC 5610 is a high performance vector control drive. Additionally to the V/f control mode it also offers SVC and provides high control accuracy in combination with a highly dynamic response. This allows it to meet the requirements of industries from machine tools, food and packaging machines to air compressors or printing and paper production.



EFC 3610 / 5610

The Rexroth EFC 3610 and EFC 5610 are the series for the world wide market. They comply with all major certification standards, such as CE, UL, cUL, RCM and EAC (replaces GOST R). Besides all the properties of the VFC series they offer the following additional features and functions:

- ▶ Permanent magnet motor control (EFC 5610).
- ▶ Built in C3 EMC filter.
- ▶ Adaptive cooling fan control.
- ▶ Designed for up to 45 °C ambient temperature without derating.
- ▶ Additional field bus options, including SERCOS III.





Bosch Rexroth VFD & Servo Drive



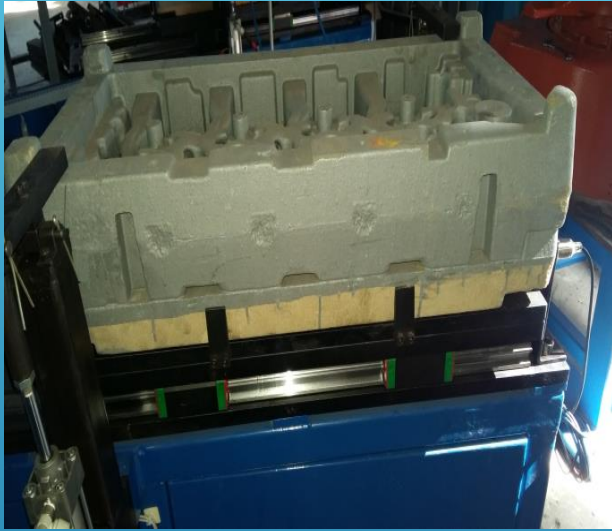


Robotic Drilling Application





Robotic Drilling Application





Robotic Paint Deeping Application



Robot gripper with 7 Axis for rotation. Robot pay load 800kg



1. Intex 2015-Three robots, One VMC & HMC with vision system Integration panel HMI & PLC programming.

HMC Kawasaki Robot VMC



Control Panel



Siemens MP 277 touch



**HYDRAULIC HOSE
CUTTING MACHINE**

1. NUMBER OF HOSE TYPE:-5 TYPE
2. ACCURACY OF HOSE :-+ _2MM
3. LENGTH VARIES -10MM TO 2 METER
4. SPEED OF HOSE CUTTING:-1M/SEC
5. QTY-SETTABLE ON HMI
6. LENGTH-SETTABLE ON HMI
7. SHIFT PRODUCTION DATA ON -HMI
8. SAFETY-DOOR SAFETY SWITCH
9. BLADE CUTTING LIFE -2 LAC PIECES
- 10.AUTOMATIC ROLL UNWINDING



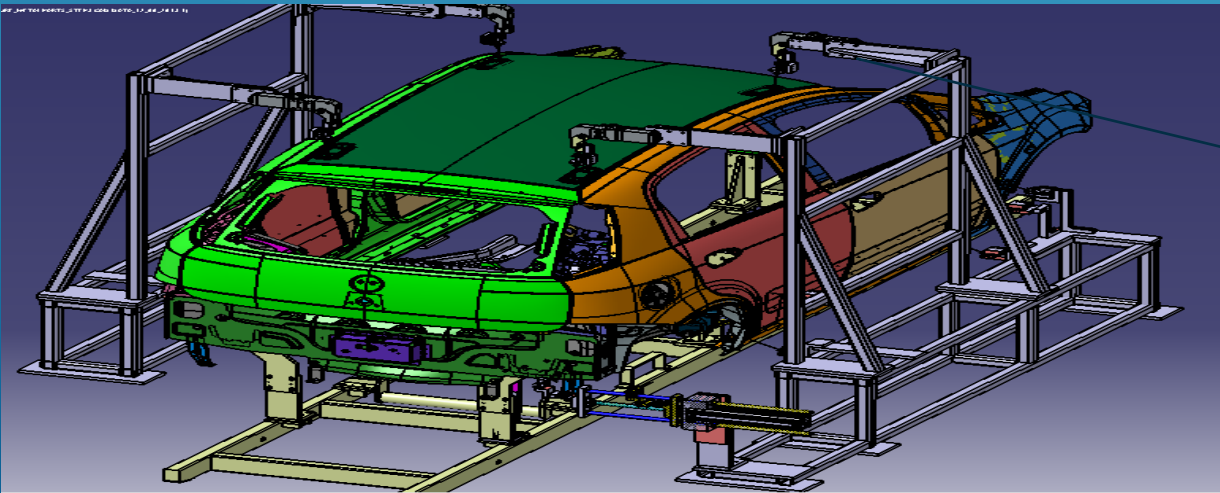
2. Fiat Tail gate Fix assembly & proving

3. Metal Finish line Door poka yoke.



Pokayoke for Aventura & Punto door wrong fitment

4. Final Cab checking Poka Yoke.



Pokayoke for roof, doors wrong fitment

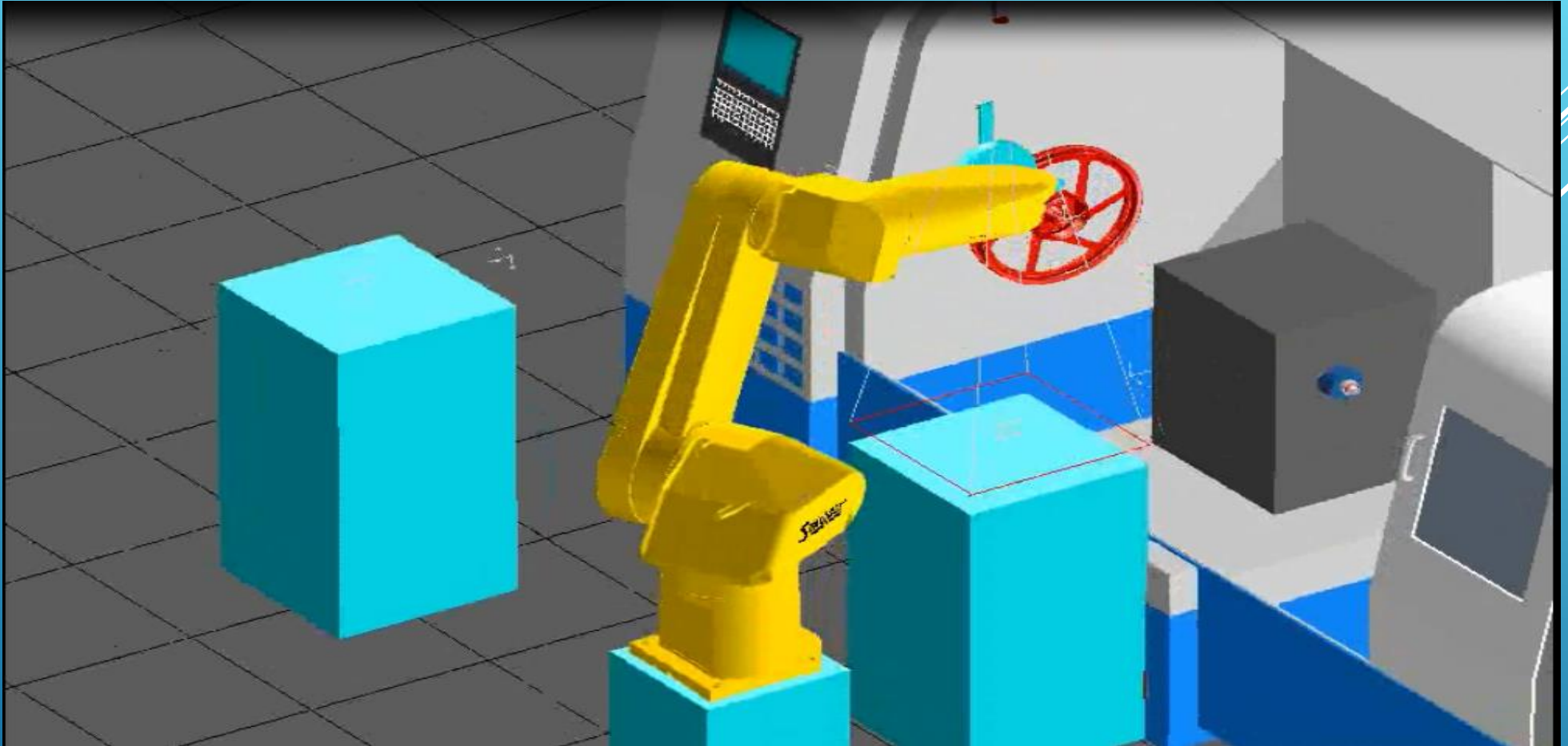




Robot Payload-12kg
Total Travel-3 meter
Sevo motor & drive-bosch

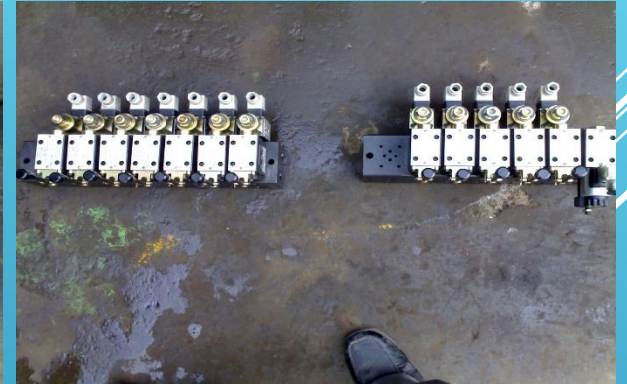
Belt drive with LM guideways
Drag chain
Protective Bellow





Endurance:-Machine Tending Application

1. VMC machine Part loading by robot.
2. VMC machine Part Unloading by robot.
3. Rotating of Job
4. Robot gripper



HYRAULIC PUNCHING FOR TATA MOTORS



1. Jcb Vallabhagadh Main framing station Hydraulic Fixture-



- 1.Design
- 2.Manufacturing
- 3.Assembly
- 4.Proving





BEHR:-

1. Robotic Mig welding cell-Yasakawa welding robot

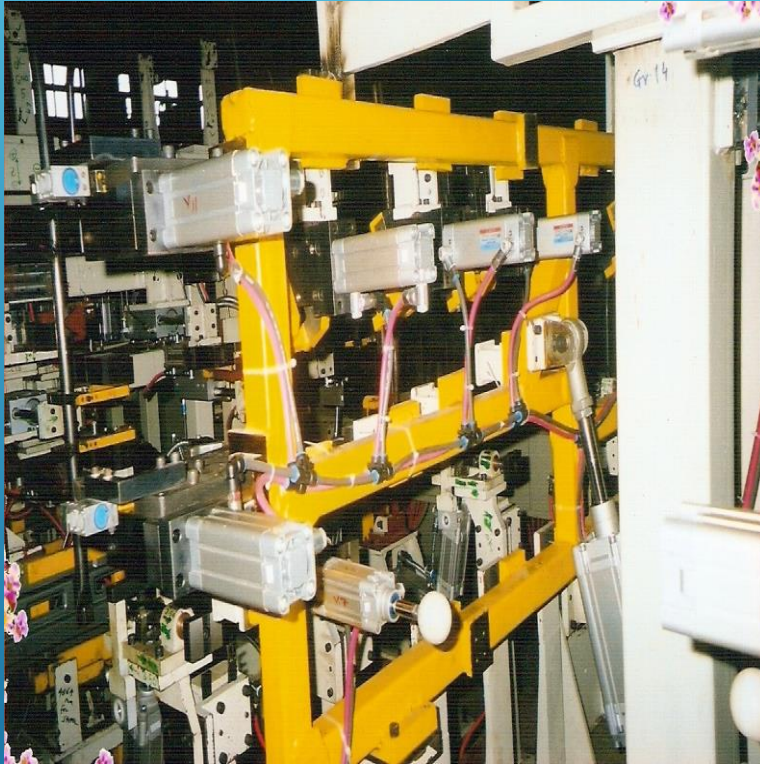


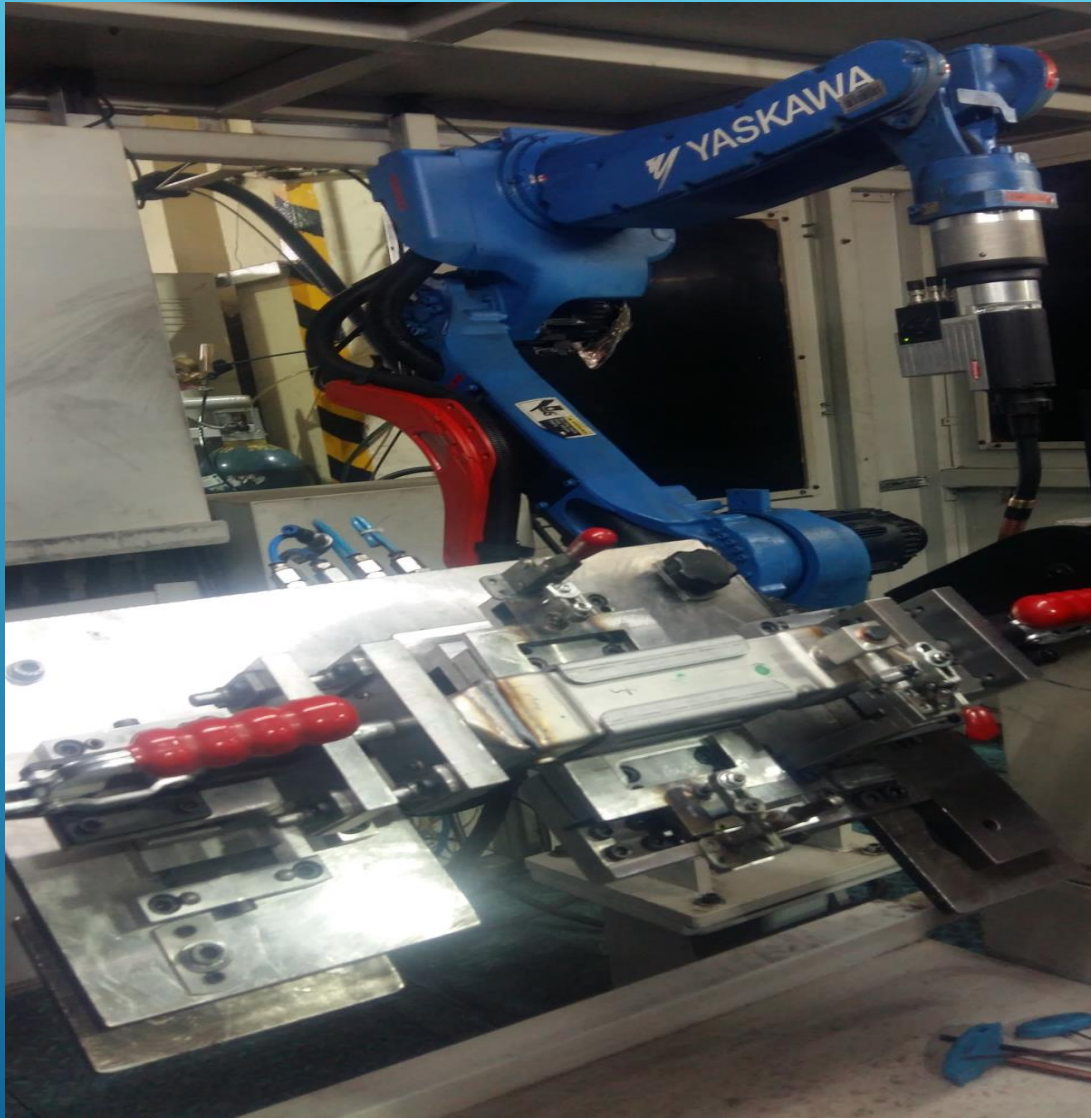
Fixture automation using robot PLC



Konex:-

1. Tata Ace Magic Tubing Fix (Pneumatic Logic + Tubing + Fixture Dimension Proving)

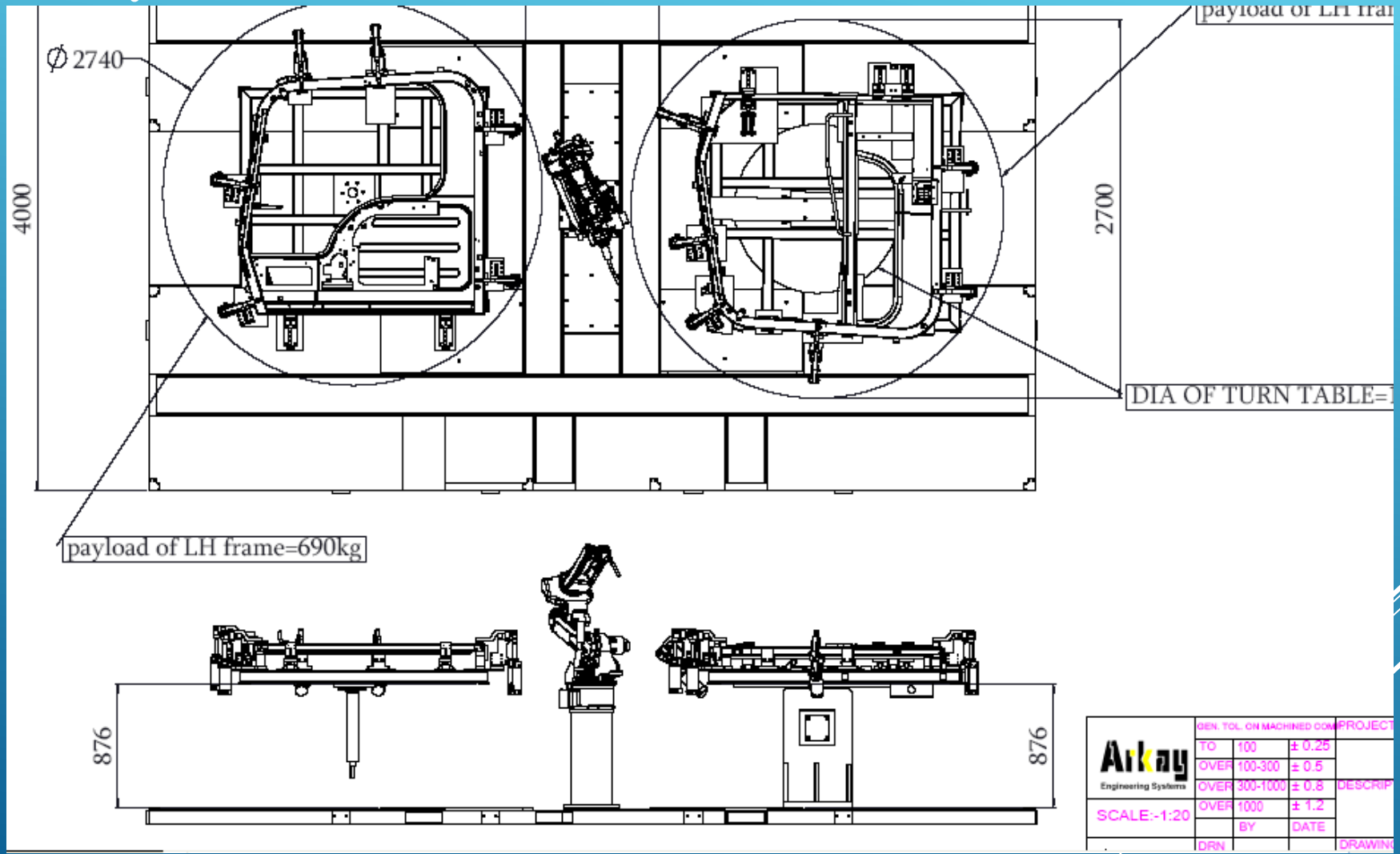




Mahle Behr Mig welding
Robotic cell Supplied three
robotic cell with target
production achive 35000 no per
month



Robotic shell Installed for Arkey Engg. Systems





Robotic shell Installed for Arkey Engg. Systems



Yaskawa Robot Complete SS Mig welding Application



Welding Robots

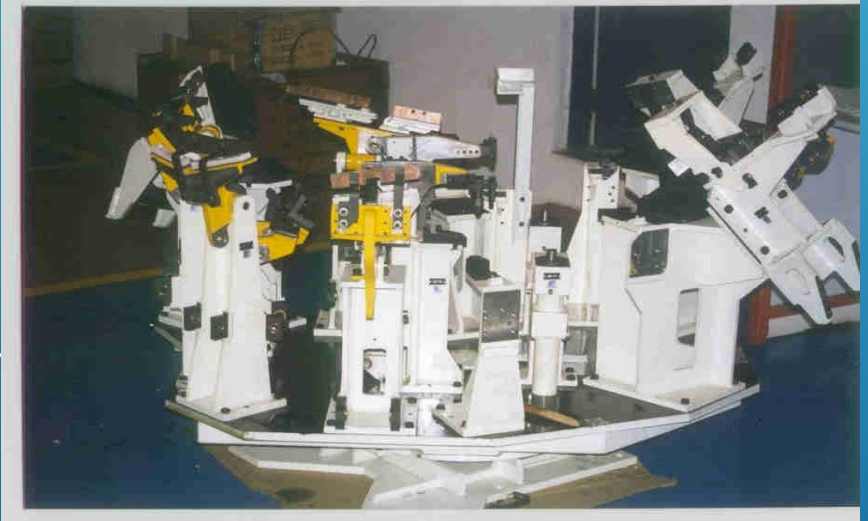
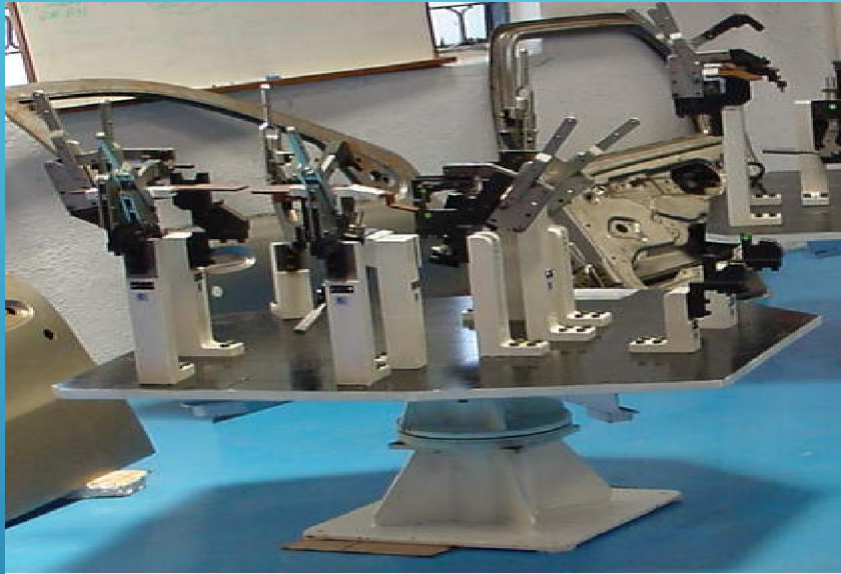








Project Completed: Fiat Door assembly



Fiat Machine shop automation



COMPLEX LIFTS & SKID CONVEYOR AUTOMATION DONE BY ADITI AUTOMATION





Body Shop:-

1. FIAT Linea,Punto Line Shifting(Control PLC & Robotics)
2. Mahindra Chakan-(Body shop Lines)
3. Ford Chennai-(Body shop complete line automation)
4. Tata motors-Table Top Hemming Machine shifting
5. Tata motors-X0 Closure Line Shifting to TTO shop
6. MMML Body Side Line Pokayoke
7. MMML BIW Body identification & interlocking With Part Pick up
8. JCB Talegoan -Main frame welding Fixture (Hydraulic)
9. TATA-ACE line robotic Automation (ABB Robots)
10. Ashok Layland (LGV body shop)
11. Tata Q 5 Abb old refurbishment

Engine Shop:-

1. Fiat Ranjangoan-(Machine Shop Automation)
2. General Motors Talegoan-(Machine shop)
3. Mahindra Robotic Nut Runner Application
4. Mahindra Robotic Sealant Application
5. Maruti Gurgoan

Assembly Shop:-

1. Robotic Greasing Application
2. TATA Battery Voltage Measurement System.

Paint Shop:-

1. Fiat GM Talegoan Paint Robot Installation with all Mechanical Structure
2. Tata Motors Vax Booth conveyor Automation
3. TATA motors robotic Underbody Robotic sealant Application

Paint Shop:-

1. Fiat GM Talegoan Paint Robot Installation with all Mechanical Structure
2. Tata Motors Vax Booth conveyor Automation
3. TATA motors robotic Underbody Robotic sealant Application

General Industries:-

1. Mahal (Bher)-(Robotic CO2 welding)
2. Mayur Industries Gear Shifting Bellow with automatic conveyor
3. Press Safety Lock & Complete Automation

Foundary Industries:-

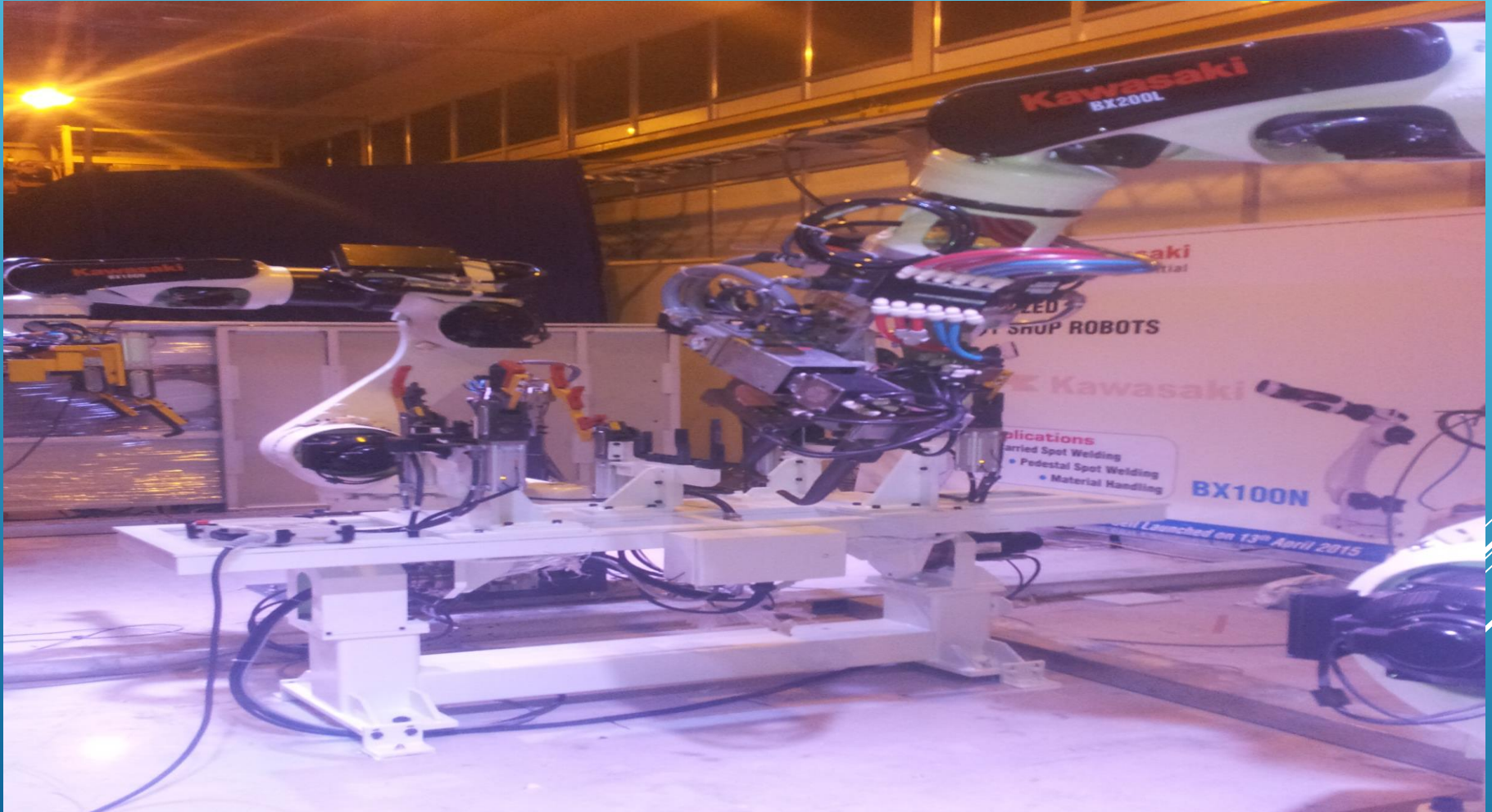
1. Robotic core Dipping
2. Robotic core Drilling
3. Robotic cotr trimming
4. Gantry Based Oil dipping

TATA MOTORS TABLE TOP HEMMING HEMMING MACHINE SHIFTING





Kawasaki Robot Spot welding Automation With Tal





KUKA SYSTEMS INDIA PVT LTD (COSMA)





KUKA SYSTEMS INDIA PVT LTD (VECV) BUS BODY PROJECT





COMAU INDIA PVT LTD.





**Fixture
assembly**



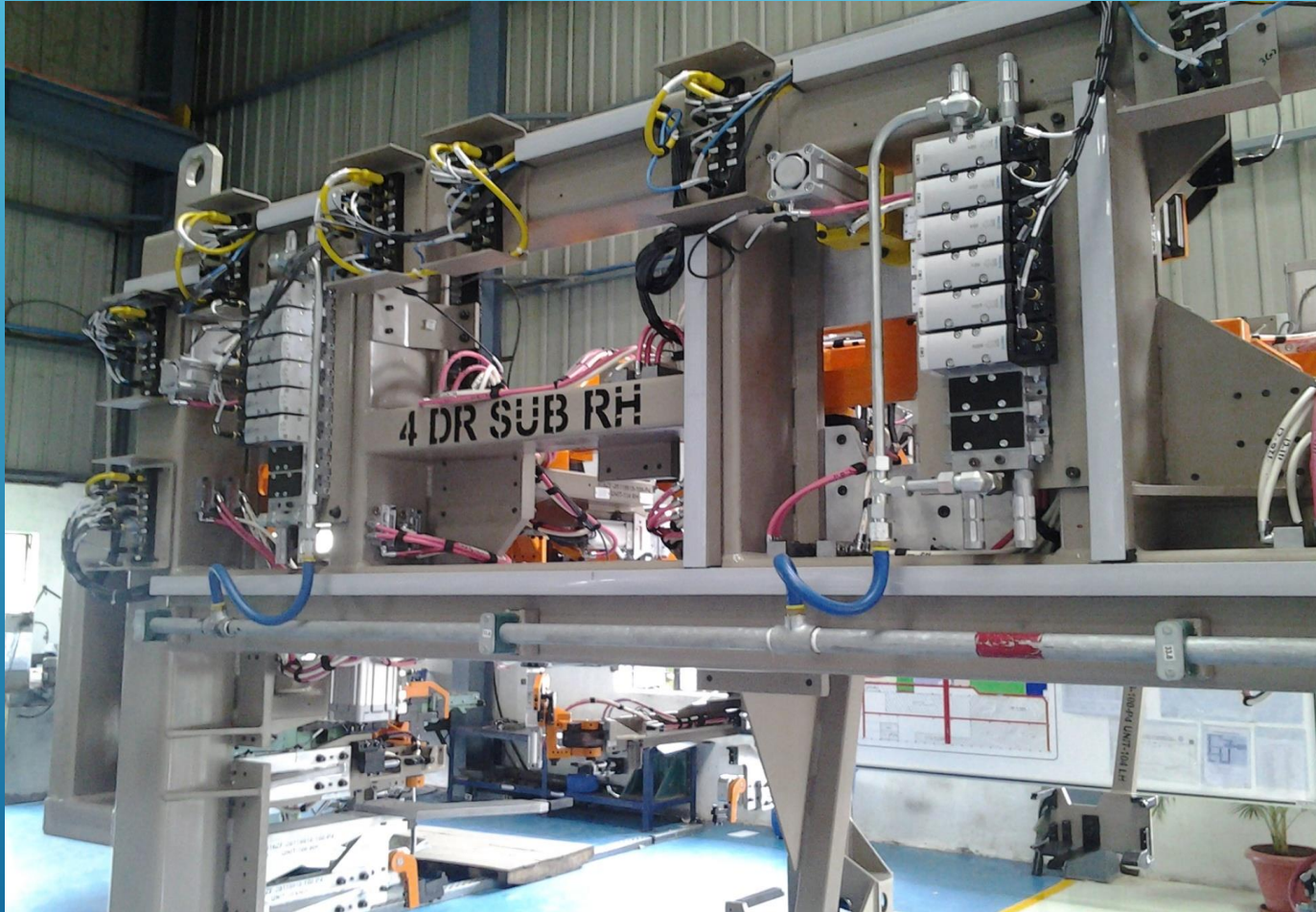
**Line
installatio
n**

COM

EC



COMAU INDIA (MARU





COMAU INDIA (RENAULT)







FIAT CRYSTLER INDIA LTD Linea, Punto & Aventura line Shifting from existing shop to 178 Body Shop.



CHAKAN MAHINDRA BODY SHOP POKA YOKE PANEL (TURN KEY PROJECT)

- DESIGN
- DEVELOPMENT
- IMPLEMENTATION
- PROVING
- 12 SPOT WELDING GUNS
- 7 FIXTURES
- WITH DEVICENET REMOTE I/O



TATA Motors Ltd. Robotic roller Hemming Shifting from LWB shop to Main Shop





Mayur Industries Gear Shift Bellow automation.



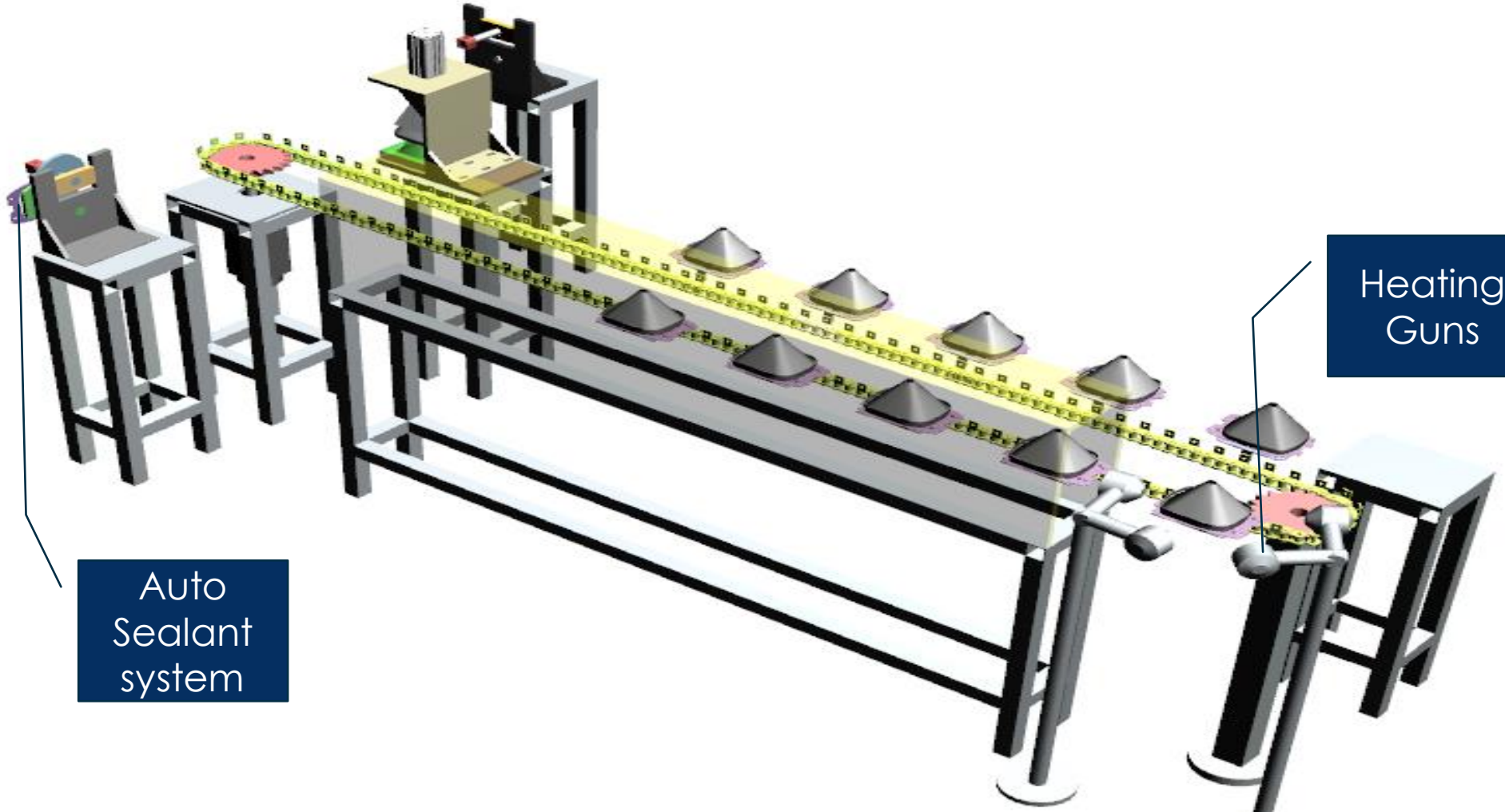
Automatic Adhesive dispensing systems



Process Automation

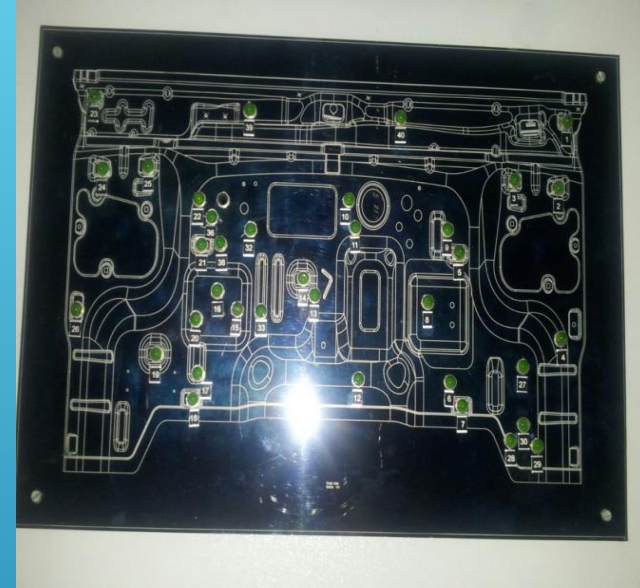


Total conveyor & Auto Sealant system



Auto Sealant system

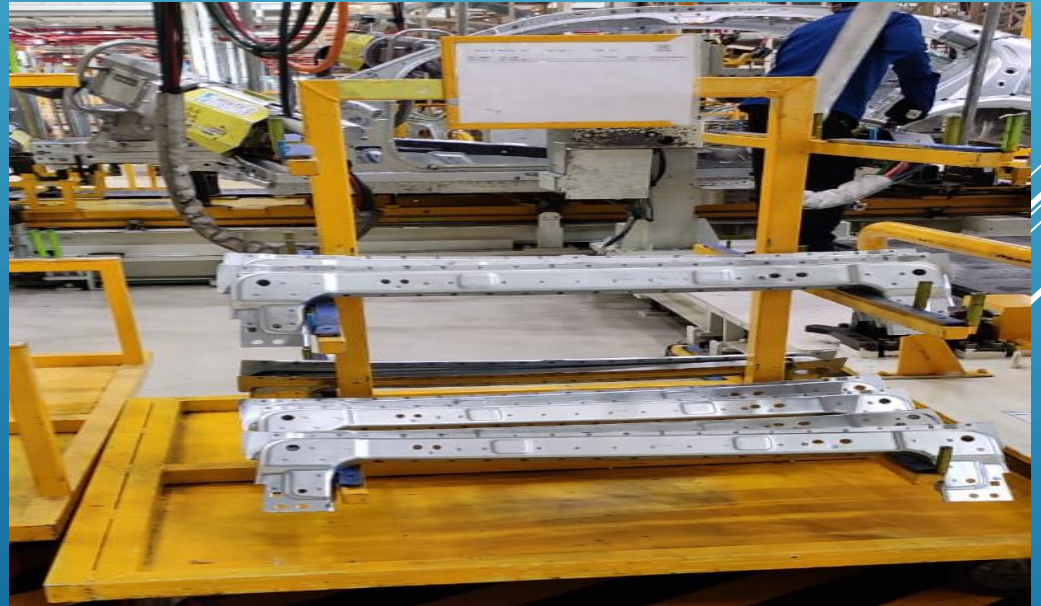
Heating Guns





PICK & PLACE gantry automation







Material Trolleys for Mercedes





ePLAN[®]
electric[®]



SIEMENS



OMRON



ROBOT PROGRAMMING & MAINT. CONTRACTS



Robotic Accessories

- ▶ ROBOTIC GRIPPERS
- ▶ ROBOTIC WELDING GUNS
- ▶ AUTOMATIC TOOL CHANGERS
- ▶ ROBOT INTERFACING BOX WITH OTHER EQUIPMENTS
- ▶ ROBOTIC MATERIAL HANDLING SYSTEMS
- ▶ Robotic Co2 Welding sources

Stabuli Robotics



Grinding



Unloadin



Painting

Panel Manufacturing



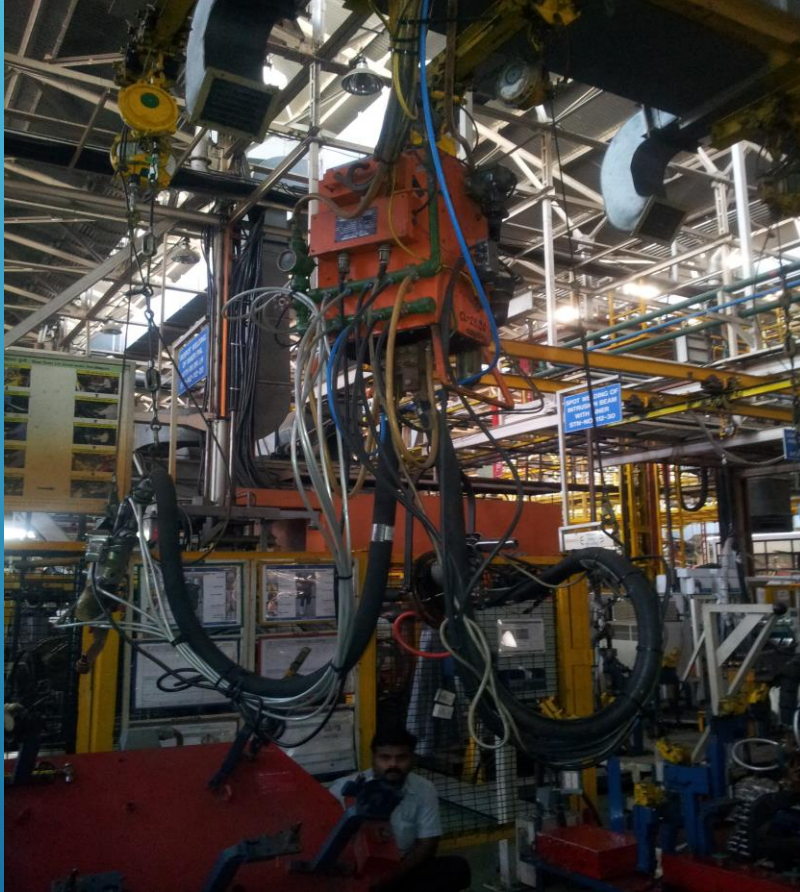


MCC PANEL SUPPLIED TO TATA MOTORS JAMSHEDPUR

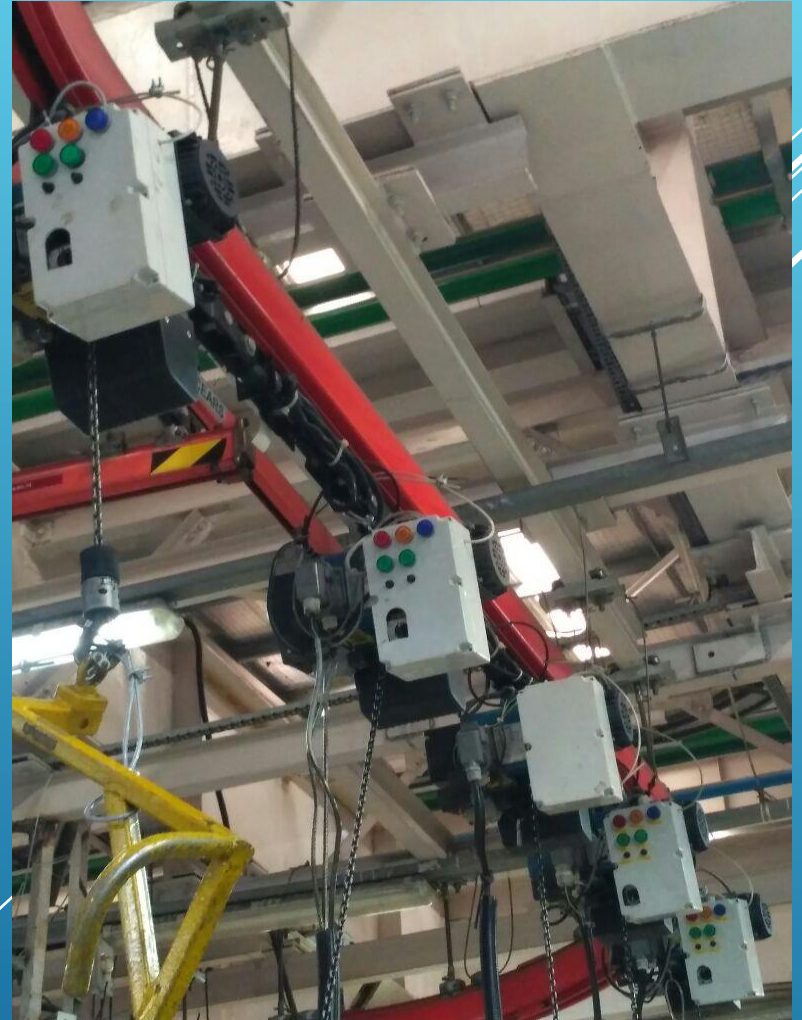


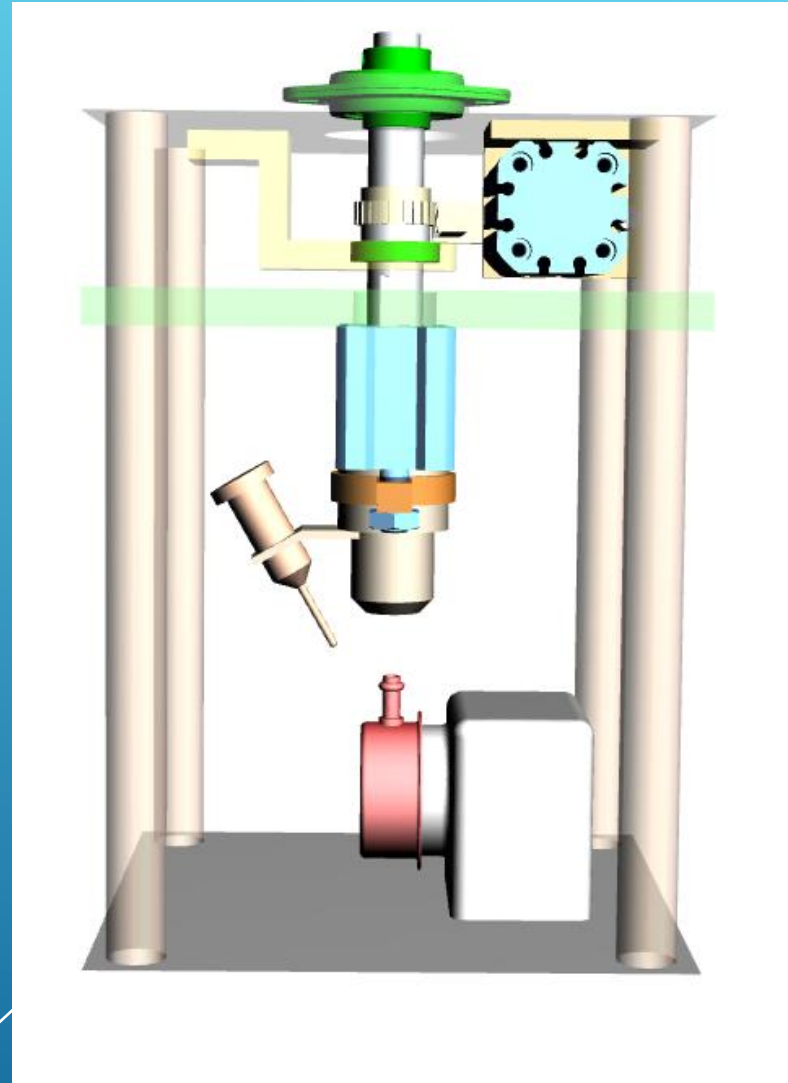
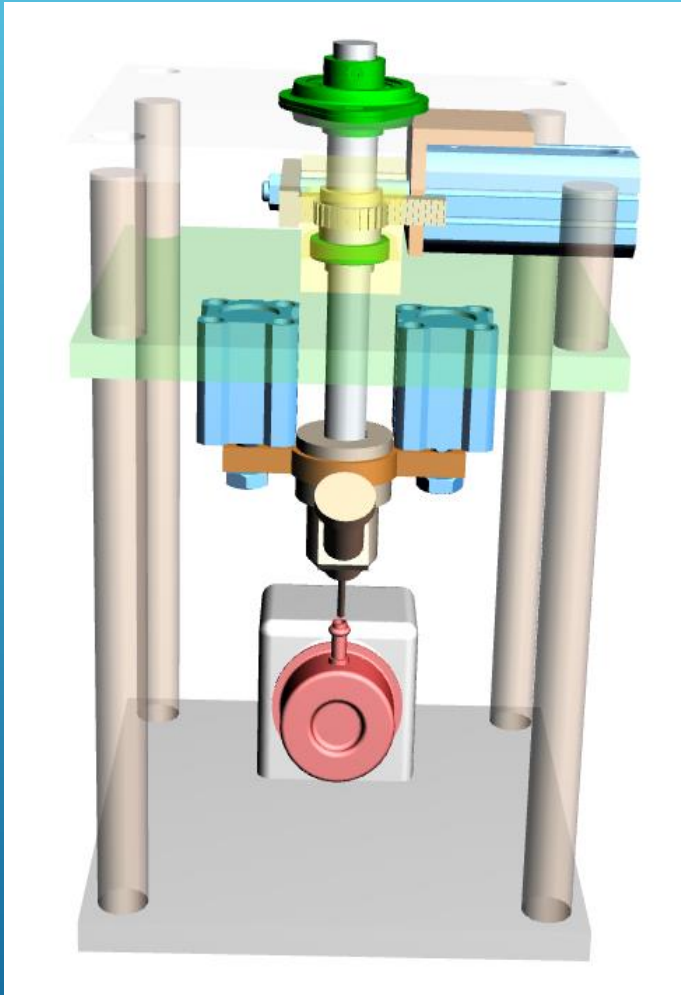
PROJECT:-COLD STORAGE
CONTROL PANELS

PROJECT:-CLOOSE INDIA
WELDING ROBOT PANEL

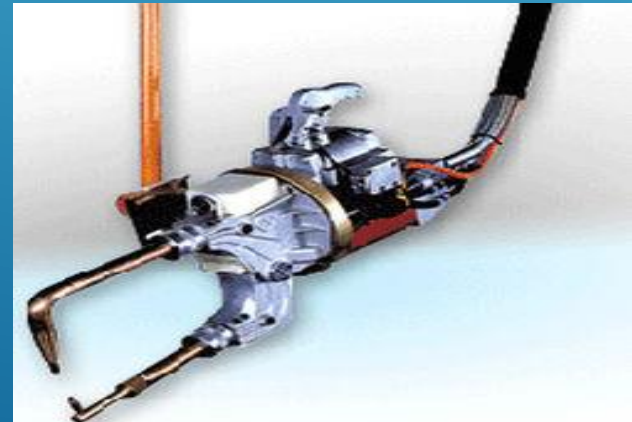
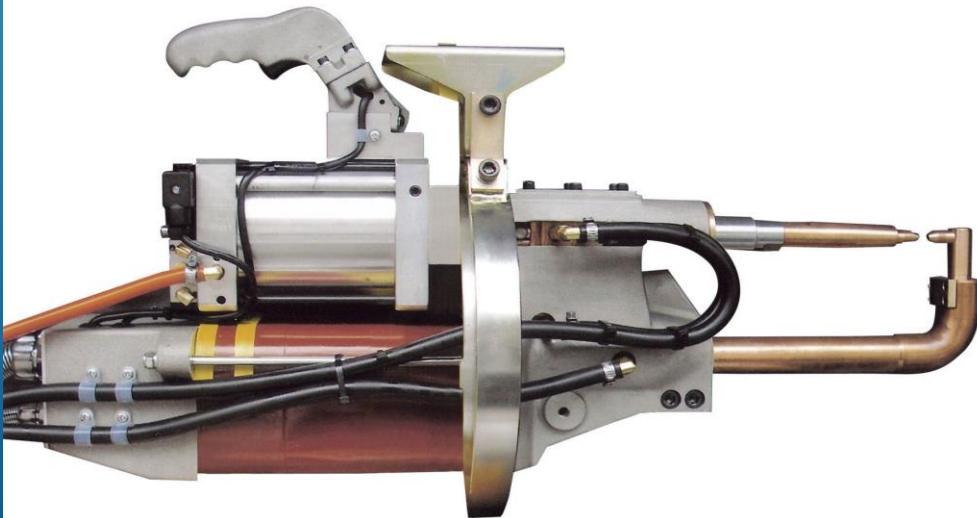
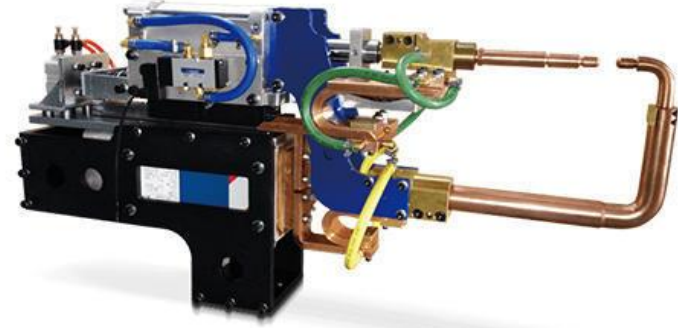


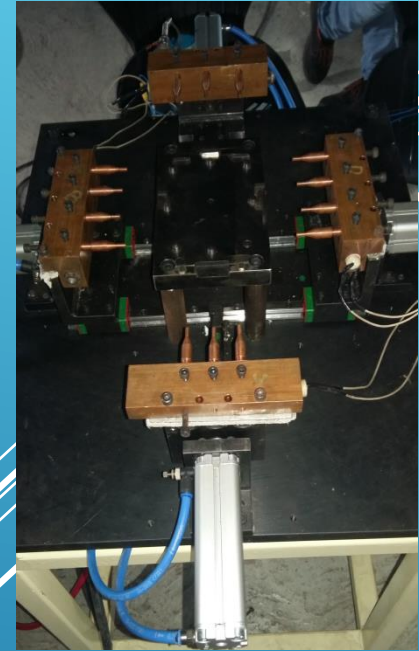
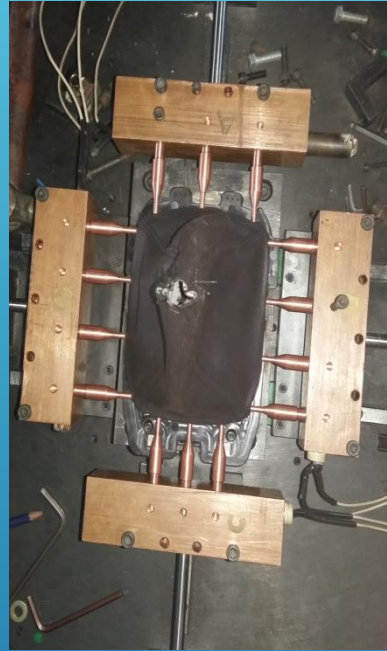
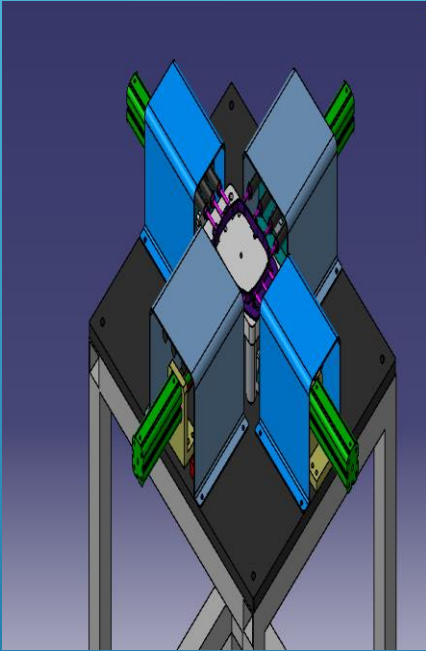
Welding Gun with bus bar,
transformer & utility.





AUTOMATIC SEALANT AUTOMATION





Ultrasonic Welding Machine for Ford Gear Shifting Bellow

Resistance (Spot + Seam + Projection Welding) transformer



Resistance welding
Transformer
Manufacturing







Manufacturing facility at Kudalwadi Chikhali



:- Balghare Vasti, Opp. Tata Motors Car Plant, Sect-16 to Kudalwadi Road, Kudalwadi, Chikhali, Pune-412014



Mob--:9881131260



:-aditiautomation@yahoo.in



www.aditiautomation.com

Thank you!